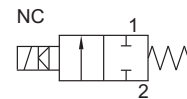


28 NB PULSE JET SOLENOID VALVE

TYPE	PRESSURE

TYPE	PRESSURE

TYPE	PRESSURE
24108	0.5 - 8.5 bar



FEATURES

- Hytrel Diaphragm
- Larger exhaust area protected with silencer for reducing noise
- Solenoid capable of turning 360°

WETTED PARTS

Code	※	B5
Body and Internals	Aluminium Die Cast	SS 316 Cast
Guide Assembly	SS 304	
Shadow-Ring	Copper	
Plunger, Insert	SS 430	
Diaphragm	Hytrel, Viton	
Fasteners	SS 304	
Seat, Seals	NBR, Viton	

SPECIFICATION

FLOW FACTOR		
SIZE	3/4"	1"
(kv) lpm	230	310
RESPONSE TIME	30 ms	
MINIMUM ELECTRICAL PULSE	50 ms	

AMBIENT TEMPERATURE

5 °C to 85 °C

FLUID TEMPERATURE

5 °C to 85 °C

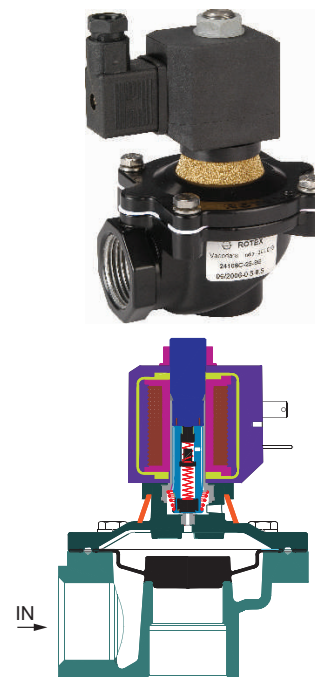
SPECIAL VERSIONS AND SUFFIX

Suffix : (Valve) AM, WO
Special versions : (Solenoid) CO, FR, SS

PORT CONNECTION

FUNCTION	INLET	OUTLET
NC	2	1

Contact Rotex for
• Any other ambient, fluid temperature, media and application



SPARES (Refer page 25 for ordering code)

SPARE KIT	CODE
Diaphragm Kit : Diaphragm Set	100
Seal Kit : Oring Set Diaphragm, Plunger Assembly	98
Repair Kit : Oring Set, Diaphragm, Plunger Assembly, Fastener, Springs	99
Solenoid Kit : Solenoid, Gasket and Nut	34

APPROVAL (* applied for)

Approval	Nema 4X	IP67	Ex d IIC T4 or T5 or T6 IP66	Ex ia IIC T6 IP67	DGMS	CCOE
		✓	✓	✓	✓	✓
		✓	✓	✓		
	✓		*			
			✓	✓		
			✓	✓		
			*	*		

28 NB PULSE JET SOLENOID VALVE

SPECIFICATION

SIZE	PORT CONNECTION		PRE-SURE bar		ORIFICE (mm)	FLOW FACTOR kv (LPM OF WATER @ 1 bar ΔP)	VALVE TYPE	PILOT PRESSURE	BODY MATERIAL AND INTERNALS					SEALS					MANUAL OVERRIDE		SOLENOID ENCLOSURE				POWER VA			CONSTRUCTION REFERENCE NUMBER		
	BSP(F)	NPT(F)	MINIMUM	MAXIMUM					ALUMINIUM	ALUMINIUM + SS	BRASS (STD PORT NPT)	SS 316/CF8M (STD. PORT NPT)	NBR	Viton	EPDM	HYTREL	PTFE	NIL	STAYPUT CUM MOMENTARY	FLYING LEAD	PLUG IN, IP67	SQ. PLUG IN, IP67	TERMINAL BOX IP67	FPJB	Ex d IIC, T4 OR T6, IP 67	LARGE ENCLOSURE	SOLENOID SIZE		AC INRUSH	AC HOLDING
INTEGRAL PILOT																														
3/4"	6G	6R	0.5	8.5	28	230	24108		×			B12	S0			×					22	T	E	14			18	12	8	P3
1"	8G	8R	0.5	8.5	28	310	24108		×			B12	S0			×					22	T	E	14			18	12	8	P3

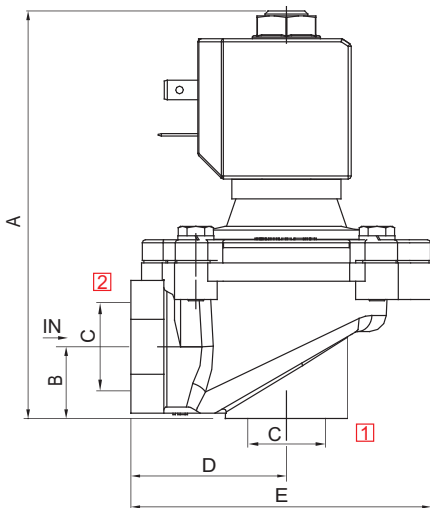
Cable Entry	T	E	* = Do not specify when opted for	
M20 x 1.5	19	39		
1/2" NPT	16	37		

ORDERING CODE, EXAMPLE VALVE + SOLENOID

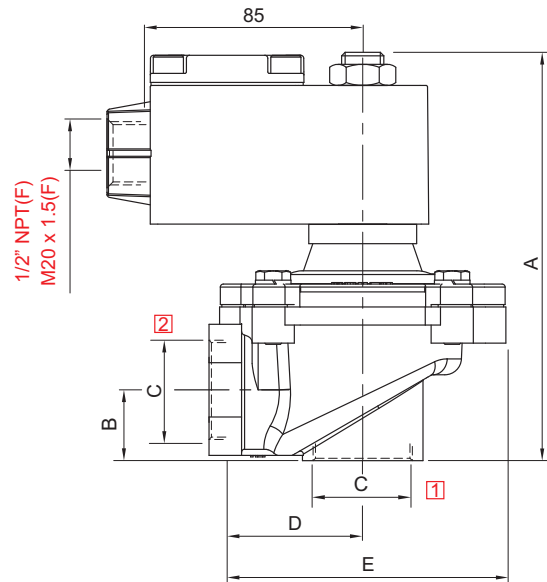
TYPE - ORIFICE - PORT CONNECTION - BODY AND INTERNALS - SEAL +
 VOLTAGE- CURRENT- SOLENOID ENCLOSURE - APPROVAL - INSULATION
 e.g. 24108-28-8G+110V 50Hz-16

DIMENSIONS CONSTRUCTION REFERENCE P3

All Dimensions are in mm



PLUG IN SOLENOID TYPE 22



TERMINAL BOX/ Ex d TYPE 16, 19, 37, 39

VALVE TYPE	NW	PIPE CONN.	A	B	C	D	E
24108	28	3/4"	134	24	3/4"	51	99
24108	28	1"	134	24	1"	51	99