

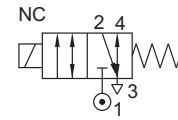
**SERIES : 32D**

**3/2 DIRECT ACTING LOW POWER, NAMUR SOLENOID VALVE**

TYPE	PRESSURE

TYPE	PRESSURE

TYPE	PRESSURE
30318LW	0 - 10 bar



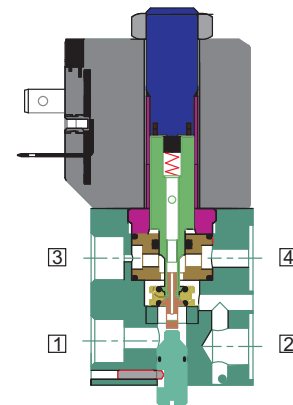
**FEATURES**

- Ideally suited for Spring Return Actuator
- Exhaust purged into spring chamber
- Higher flow for faster operation
- Air and power fail to return
- Non return plug fitted on the exhaust port



**WETTED PARTS**

Code	※	B1	B5
Body	Anodized Aluminium	Anodized Aluminium	SS 316
Internals	Aluminium, Brass and SS 316	SS 316	SS 316
Guide Assembly	SS 304		
Shadow-Ring	Copper/ Silver/ None		
Plunger, Insert	SS 430		
Spring	SS 302		
Fasteners	SS 304		
Seat, Seals	NBR, Viton, Viton GLT, F.Silicon		



**AMBIENT AND FLUID TEMPERATURE**

-20 °C to 80 °C

**SPECIAL VERSION AND SUFFIX**

Suffix : (Valve) AM, WO  
 Special version : (Solenoid) CO, FR, SS

**MEDIA**

Air, Inert Gases

**APPLICATION**

Operation of single acting actuator

**PORT CONNECTION**

INLET	OUTLET	OUTLET	EXHAUST
1	2	4	3

Contact Rotex for

- Any other ambient, fluid temperature, media and application
- UL listed, Listed general purpose Valve
- SIL4 approved valve



For Valve type 30318LW operated with AC voltage select for in built full rectified solenoid with FR option

**SPARES**

(Refer page 25 for ordering code)

SPARE KIT	CODE
Seal Kit : Oring Set and Plunger Assembly	98
Repair Kit : Oring Set, Plunger Assembly, Fastener, Springs, Manual Override	99
Solenoid Kit : Solenoid, Gasket and Nut	34

**APPROVAL**

(★ applied for)

Approval	Nema 4X	IP67	Ex d IIC T4 or T5 or T6 IP66	Ex ia IIC T6 IP67	DGMS	CCOE
		✓	✓	✓	✓	✓
CE		✓	✓	✓		
UL	✓		*			
			✓	✓		
			✓	✓		
			*	*		



## 3/2 DIRECT ACTING LOW POWER, NAMUR SOLENOID VALVE

### SPECIFICATION

PORT CONNECTION			PRE-SSURE bar		ORIFICE (mm)		VALVE TYPE	PILOT PRESSURE	BODY MATERIAL AND INTERNALS				SEALS		MANUAL OVERRIDE		SOLENOID ENCLOSURE			OUTLET PORT	POWER VA		CONSTRUCTION REFERENCE NUMBER							
SIZE	BSP(F)	NPT(F)	MINIMUM	MAXIMUM	MINIMUM	MAXIMUM			ALUMINIUM	ALUMINIUM + SS	BRASS (STD. PORT NPT)	SS 316/CF8M (STD. PORT NPT)	NBR	Viton	Viton GLT	F.Silicon	NIL	STAY/PUT CUM MOMENTARY	MOMENTARY	FLYING LEAD	PLUG IN, IP67	SQ. PLUG IN, IP67		TERMINAL BOX IP67	FPJB	Ex d IIC, T4 OR T6, IP67	LARGE ENCLOSURE	SOLENOID SIZE	NAMUR	AC INRUSH
3/2 LOW POWER FOR ON/ OFF APPLICATION																														
1/4"	2G	2R	0	10	5	9	30318LW	*	B1	B5	*	S2	S2G	S19	M0	*	M8				25	T	E		14	2	3.5	3.5	3.5	N23

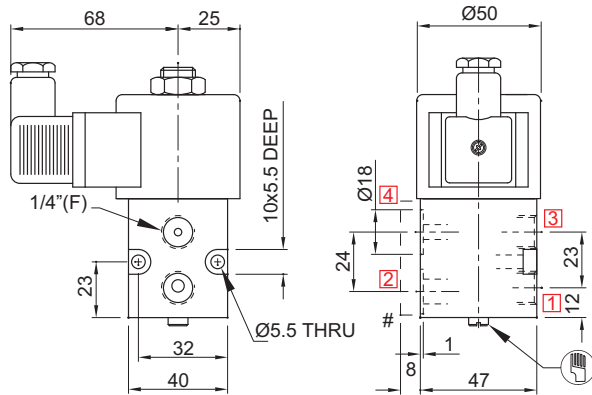
Cable Entry	T	E	* = Do not specify when opted for
M20 x 1.5	19	39	
1/2" NPT	16	37	

### ORDERING CODE, EXAMPLE VALVE + SOLENOID

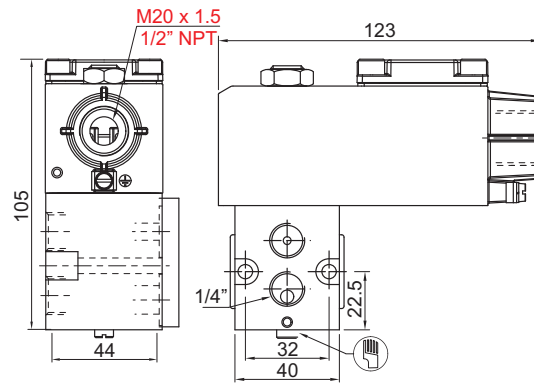
TYPE - SUFFIX - ORIFICE - PORT CONNECTION - BODY AND INTERNALS - MANUAL OVERRIDE - SEAL + VOLTAGE - CURRENT - SOLENOID ENCLOSURE - APPROVAL - INSULATION - SPECIAL VERSION  
 e.g. 30318LW-5-2R-B5-S2+24V DC-16-LW 3.5

### DIMENSIONS All Dimensions are in mm

### CONSTRUCTION REFERENCE N23



PLUG IN SOLENOID TYPE



TERMINAL BOX/ Ex d TYPE 16, 19, 37, 39

11