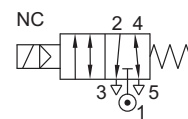


3/2 DIRECT ACTING NAMUR SOLENOID VALVE

TYPE	PRESSURE

TYPE	PRESSURE

TYPE	PRESSURE
30106	0 - 16 bar

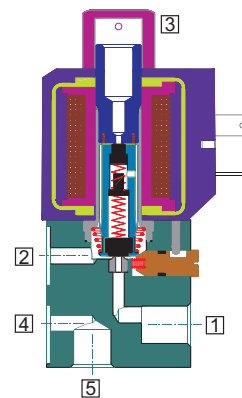


FEATURES

- Ideally suited for spring return actuator
- Low cost economical model
- High pressure up to 150 bar available
- Dust caps provided on the exhaust ports

WETTED PARTS

Code	※	B5
Body	Anodized Aluminium	SS 316
Internals	Aluminium, SS 316	SS 316
Guide Assembly	SS 304	
Shadow-Ring	Copper/ Silver/ None	
Plunger, Insert	SS 430	
Spring	SS 302	
Fasteners	SS 304	
Seat, Seals	NBR, Viton, F.Silicon	



AMBIENT AND FLUID TEMPERATURE

-20 °C to 80 °C

SPECIAL VERSION AND SUFFIX

Suffix : (Valve) AM, WO
Special version : (Solenoid) CO, FR, SS, LC, III

MEDIA

Air, Inert Gases, Water

APPLICATION

Operation of single acting actuator

PORT CONNECTION

INLET	OUTLET	OUTLET	EXHAUST	EXHAUST
1	2	4	3	5

Contact Rotex for

- Any other ambient, fluid temperature, media and application
- UL listed, Listed general purpose Valve
- SIL4 approved valve



SPARES

(Refer page 25 for ordering code)

SPARE KIT	CODE
Seal Kit : Oring Set and Plunger Assembly	98
Repair Kit : Oring Set, Plunger Assembly, Fastener, Springs, Manual Override	99
Solenoid Kit : Solenoid, Gasket and Nut	34

APPROVAL

(* applied for)

Approval	Nema 4X	IP67	Ex d IIC T4 or T5 or T6 IP66	Ex ia IIC T6 IP67	DGMS	CCOE
		✓	✓	✓	✓	✓
		✓	✓	✓		
	✓		*			
			✓	✓		
			✓	✓		
			*	*		



3/2 DIRECT ACTING NAMUR SOLENOID VALVE

SPECIFICATION

PORT CONNECTION			PRE-SSURE bar	ORIFICE (mm)	FLOW FACTOR kv (LPM OF WATER @ 1 bar ΔP)	VALVE TYPE	PILOT PRESSURE	BODY MATERIAL AND INTERNALS			SEALS			MANUAL OVERRIDE		SOLENOID ENCLOSURE		OUTLET PORTS		POWER VA		CONSTRUCTION REFERENCE NUMBER
SIZE	BSP(F)	NPT(F)	MINIMUM					MAXIMUM	ALUMINIUM	ALUMINIUM + SS	BRASS (STD PORT NPT)	SS 316/CF8M (STD. PORT NPT)	NBR	Viton	F. Silicon	NIL	STAYPUT CUM MOMENTARY	FLYING LEAD	WEATHER PROOF	EXPLOSION PROOF	NAMUR	

3/2 ON/ OFF APPLICATION

1/8"	1G	1R	0	16	1.6	1.5	30106	*		B5	*	S2			M0	*	M8	22	25	T	E	III	14	1 or 2	18	12	8	N3	
			0	10	1.8	1.8	30106	*		B5	*	S2				M0	*	M8	22	25	T	E	III	14	1 or 2	18	12	8	N3
			0	8	2.2	2.5	30106	*		B5	*	S2				M0	*	M8	22	25	T	E	III	14	1 or 2	18	12	8	N3
1/4"	2G	2R	0	16	1.6	1.5	30106	*		B5	*	S2	S19		M0	*	M8	22	25	T	E	III	14	1 or 2	18	12	8	N3	
			0	10	1.8	1.8	30106	*		B5	*	S2	S19		M0	*	M8	22	25	T	E	III	14	1 or 2	18	12	8	N3	
			0	8	2.2	2.2	30106	*		B5	*	S2	S19		M0	*	M8	22	25	T	E	III	14	1 or 2	18	12	8	N3	
			0	6	2.5	3.0	30106	*		B5	*	S2	S19		M0	*	M8	22	25	T	E	III	14	1 or 2	18	12	8	N3	

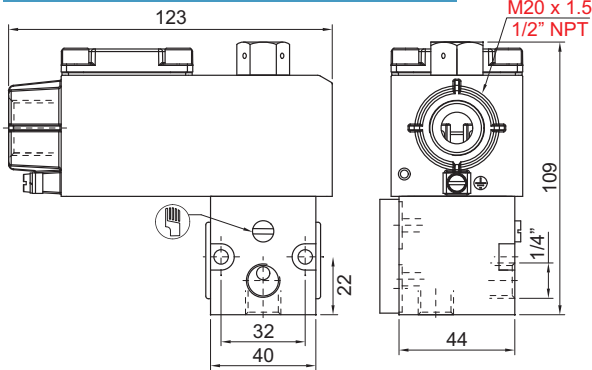
Cable Entry	T	E	* = Do not specify when opted for	
M20 x 1.5	19	39		
1/2" NPT	16	37		

ORDERING CODE, EXAMPLE VALVE + SOLENOID

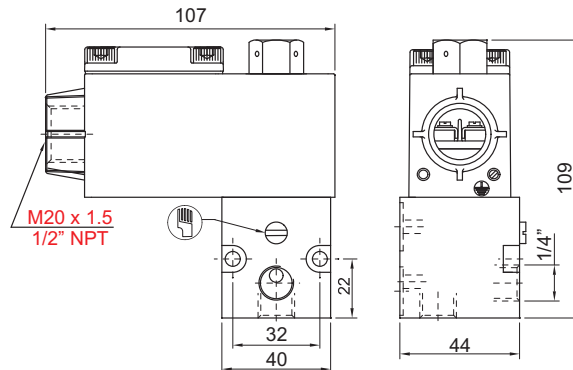
TYPE - SUFFIX - ORIFICE - PORT CONNECTION - BODY AND INTERNALS - MANUAL OVERRIDE - SEAL + SIZE - VOLTAGE - CURRENT - SOLENOID ENCLOSURE - APPROVAL - INSULATION - SPECIAL VERSION
 e.g. 30106-2.2-2G+24V DC-19

DIMENSIONS All Dimensions are in mm

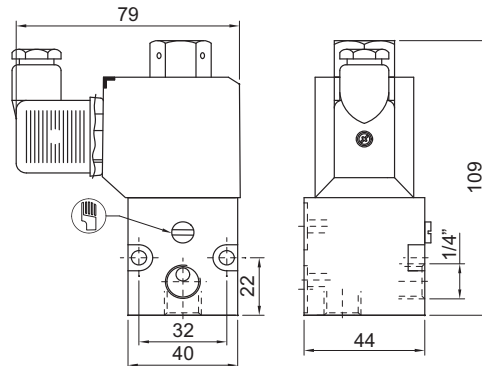
CONSTRUCTION REFERENCE N3



TERMINAL BOX/ Ex d LARGE ENCLOSURE TYPE 16, 19, 37, 39



TERMINAL BOX/ Ex d TYPE 16, 19, 37, 39



PLUG IN SOLENOID TYPE 22/ 25