
Housing Material:

- P250GH

Nominal Diameter: DN15, DN20, DN25, DN40, DN50

Connections:

- Flanges DN15, DN20, DN25, DN40, DN50, according DIN EN 1092-1
- Flanges 1", 1½", 2", according ANSI B 16.5, Class 150/300
- Female thread G½", G¾", G1" (BSP) according DIN ISO 228-1
- Female thread ½", ¾", 1" NPT according ANSI B 1.20.1
- Butt weld DN15, 20, 25, according DIN EN 12627 and ANSI B 16.25
- Socket weld DN15 (1/2"), DN20 (3/4"), DN25 (1"), DN40 (1 1/2"), DN50 (2") according DIN EN 12760 and ANSI B 16.11

Nominal Pressure Stage: PN 40

Media: Steam and condensate.

Not applicable for media of fluid group 1.

Function: Discharge and venting of steam systems. A temperature drop opens while an increase of temperature closes the passage. At steam temperature the valve closes.

Special characteristics: The ¾"-corrosion resistant Bimetal control element forms a single item. Due to the large tolerance between valve stem and valve housing, the unit is insensitive to contamination. Valve travel can be adjusted to suit special system requirements, such as supersaturation and backpressure.

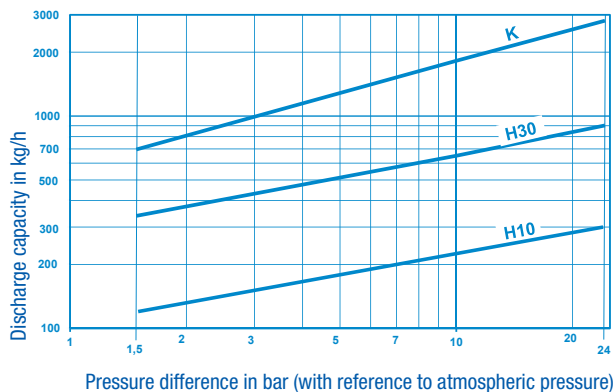
Installation: Horizontal or vertical

Housing Operating Limits:

max. operating pressure (bar g)	40	37,1	33,3	27,6	23,8
max. operating temperature (°C)	-10/20	100	200	300	400

Function Limit for Bimetal Valve:

max. pressure difference (bar g)	24
max. temperature (°C)	350

Discharge capacity:


The above diagram shows discharge capacity of cold condensate K and hot condensate at approximately 30°C undercooling (H30) and at approximately 10°C undercooling (H10).

CE-Mark:

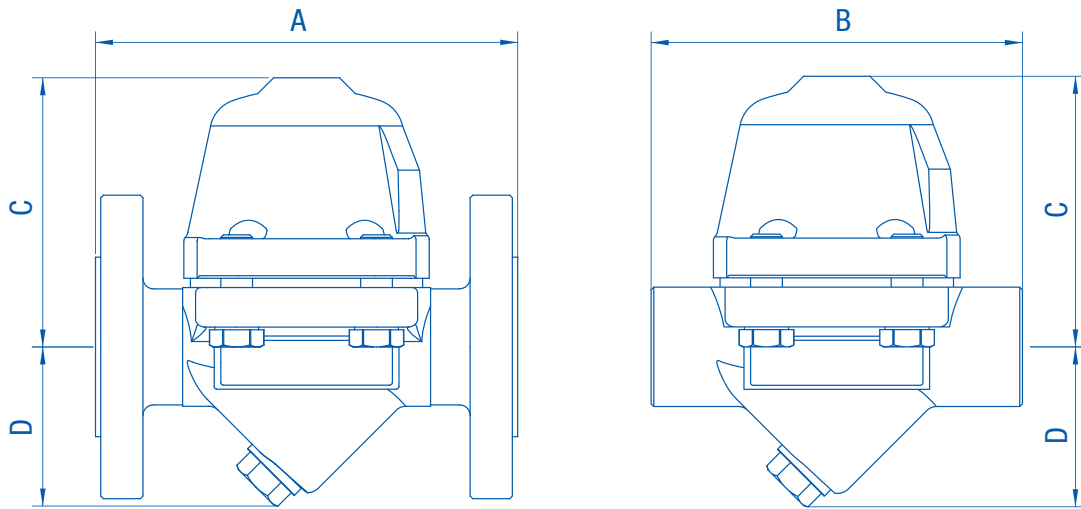
The pressure equipment described is a pressure-keeping component in accordance with the Pressure Vessel Directive 2014/68/EU.

DN40, DN50: Conformity verified through the identifying mark: CE 0525.

DN15, DN20, DN25: according to art 4, sub. 3, no CE-Mark.

Please state the following when making inquiries/placing orders:

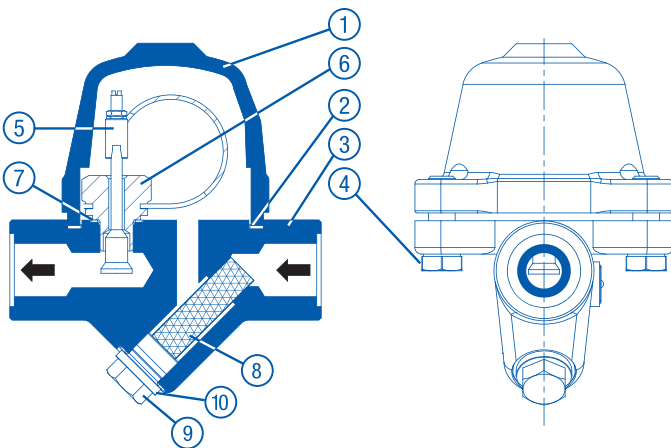
Medium, density, initial pressure, counter-pressure, temperature, quantity of condensation (kg/h) and the required condensate undercooling.



Dimensions (in mm), Weights (in kg)

Connections	Female Thread		BW / SW		Flanges				
	1/2"	3/4" and 1"	1/2" - 1"	1 1/2" / 2"	15	20	25	40	50
A	-	-	-	-	150	150	160	230	230
B	140	140	140	230	-	-	-	-	-
C	105	105	105	105	105	105	105	105	105
D	60	60	60	60	60	60	60	60	60
Weights	4,5	4,5	4-4,5	5,5	5,5	6,5	6,5	9	10

Spare Parts



- 1 **Housing cap:** P250GH
- 2 **Housing gasket:** Novaphit
- 3 **Housing:** P250GH
- 4 **Housing screws:** DIN 933 - A4-70 - M12
- 5 **Bimetal valve complete*:** corrosion resistant bimetal
- 6 **Bimetal valve seat*:** 1.4104
- 7 **Gasket:** Soft iron
- 8 **Strainer:** 1.4301
- 9 **Locking Screw:** G 1/2" (BSP), DIN 910 - 5.8
- 10 **Gasket:** Soft iron

* Single parts for the subassemblies cannot be supplied because of the requirements to tightness.

To ensure correct part delivery, please specify the works standard sheet number 2227, connection size and part number for spare part orders.